

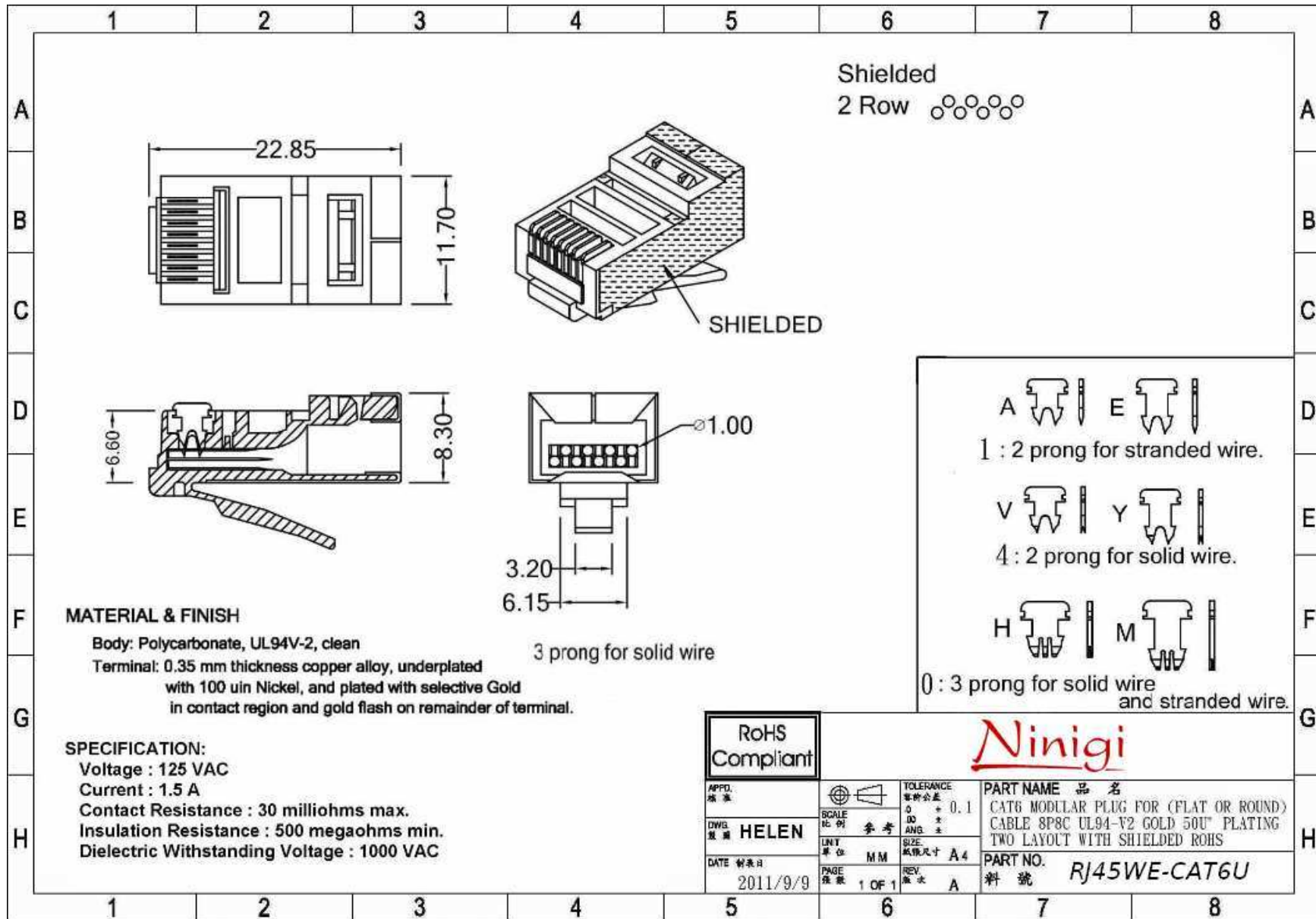


HESTORE.HU

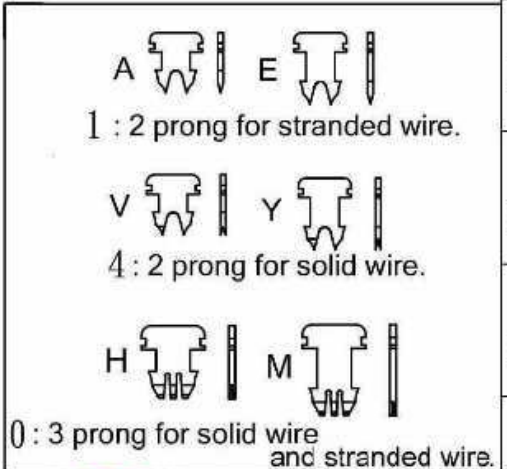
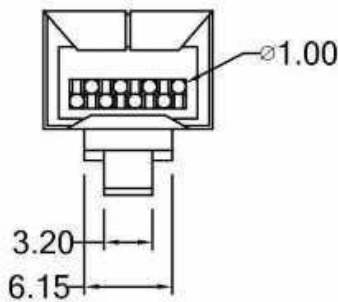
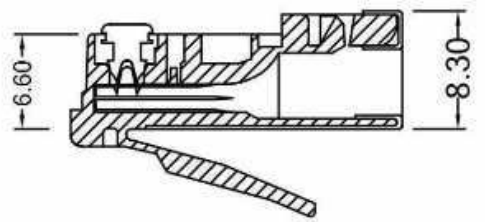
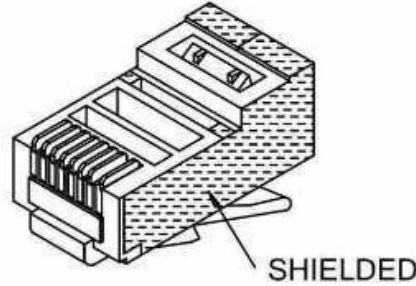
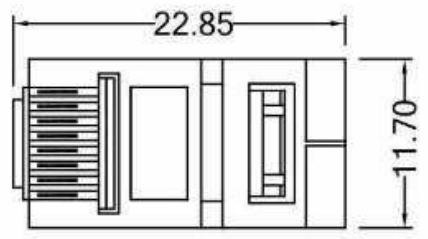
elektronikai alkatrész áruház

EN: This Datasheet is presented by the manufacturer.

Please visit our website for pricing and availability at www.hestore.hu.



Shielded
2 Row



MATERIAL & FINISH

Body: Polycarbonate, UL94V-2, clean
Terminal: 0.35 mm thickness copper alloy, underplated with 100 uin Nickel, and plated with selective Gold in contact region and gold flash on remainder of terminal.

SPECIFICATION:

Voltage : 125 VAC
Current : 1.5 A
Contact Resistance : 30 milliohms max.
Insulation Resistance : 500 megaohms min.
Dielectric Withstanding Voltage : 1000 VAC

RoHS
Compliant

Ninigi

APPD. 标准	SCALE 比例	TOLERANCE 容许公差	PART NAME 品名 CAT6 MODULAR PLUG FOR (FLAT OR ROUND) CABLE 8P8C UL94-V2 GOLD 50U" PLATING TWO LAYOUT WITH SHIELDED ROHS
DWG 图号	UNIT 单位	SIZE 规格尺寸	
DATE 制表日 2011/9/9	PAGE 张数	REV 版本	PART NO. 料号
HELEN	MM	A4	RJ45WE-CAT6U
	1 OF 1	A	