



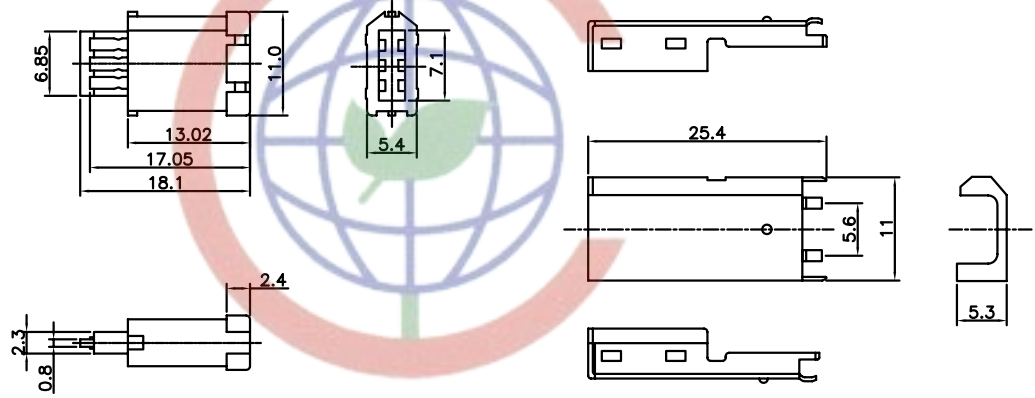
HESTORE.HU

elektronikai alkatrész áruház

EN: This Datasheet is presented by the manufacturer.

Please visit our website for pricing and availability at www.hestore.hu.

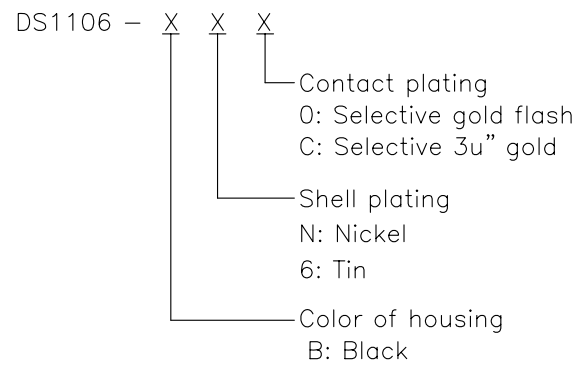
REV.	DESCRIPTION	DRAWN	CHECKED	APPROVED
A	NEW RELEASE	HP 22/06/05		



NOTES:

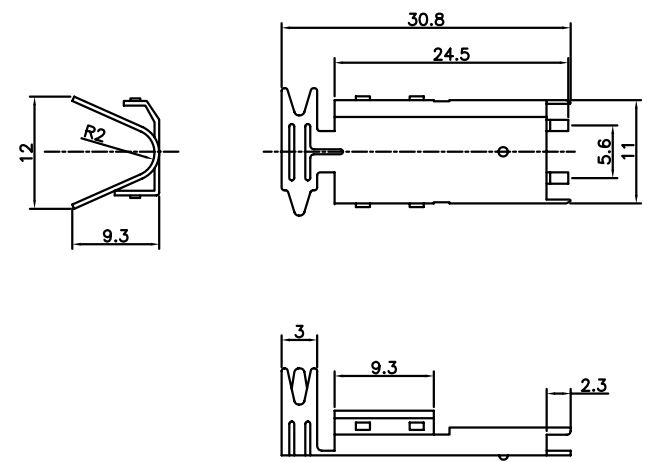
- SPECIFICATIONS
 - Contact Resistance: 50mΩ max
 - Insulator Resistance: 100MΩ min.
 - Current Rating: 1.5A per pin max.
 - Rated Voltage: 30V DC
 - Dielectric withstanding voltage: AC 100V For 1 minute
 - Contact: Copper Alloy
 - Housing: Thermoplastic(UL 94V-0)

2. PRODUCT NUMBER CODE:



Housing with contact Upper shell

CONNFLY



Down shell

Tel: 86-574-63508787

Fax: 86-574-63510817

GENERAL TOLERANCE		ANGLE TOLERANCE		PROJECTION	TITLE	
X.	±0.60	X.	±5°		IEEE 1394 6PIN MALE SOLDER TYPE	
.X	±0.38	.X	±3°	UNITS	mm	
.XX	±0.25	.XX	±2°	SHEET SIZE	A4	SERIES DS1106
DRAWING TYPE		CUSTOMER		晨翔电子有限公司 CONNFLY CONNFLY ELECTRONIC CO. LTD		
SCALE		1:1	SHEET 1 OF 1			
DRAWING NO.		C-DS1106-XXX				

P.O: 315321