



HESTORE.HU

elektronikai alkatrész áruház

EN: This Datasheet is presented by the manufacturer.

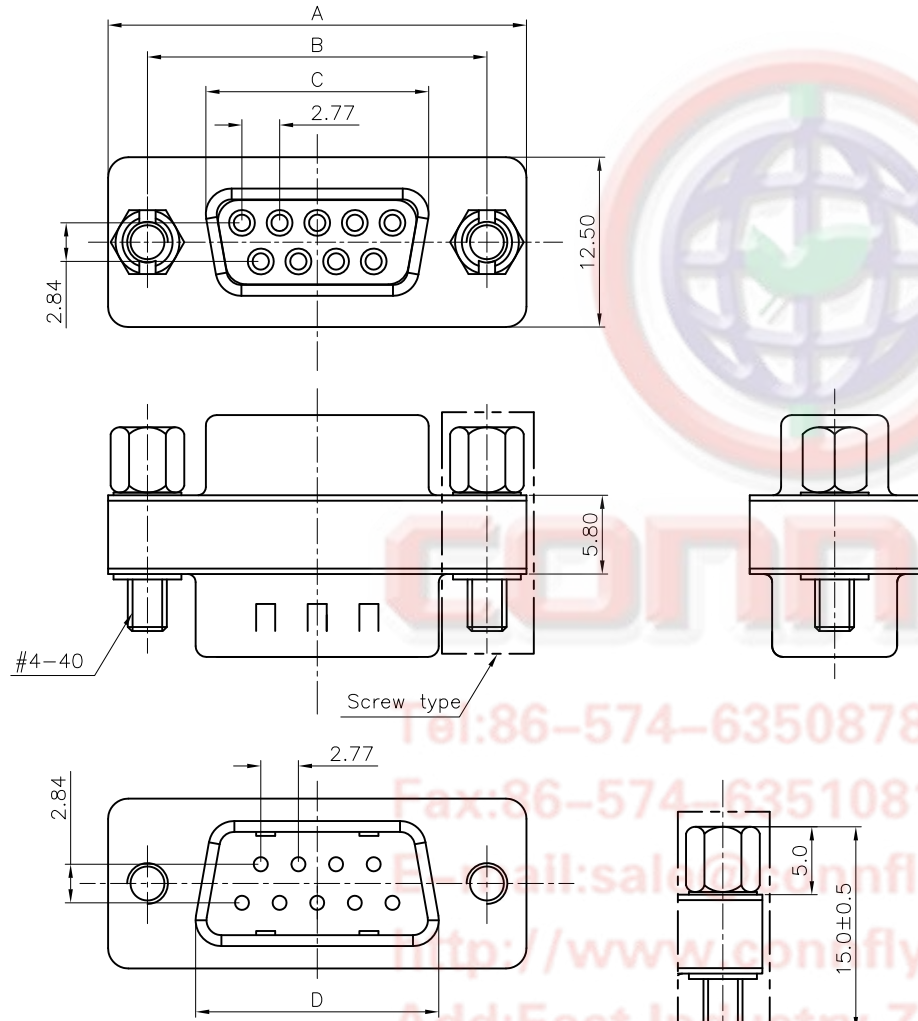
Please visit our website for pricing and availability at www.hestore.hu.

Dept
Qty
DC 1
ED 1
IE 1
ISO 1
PD 1
R&D 1
SD 1
QA 1
QC 1
QE 1

The information provided herein is from CONNELY Electronic Co., Ltd. and is confidential. Any disclosure to a party other than the recipient is prohibited. The intellectual properties and its rights contained herein, including but not limited to, trademarks, patents, copyrights, trade secrets, and technical know-how, are owned exclusively by CONNELY or its affiliates. Unauthorized use of this information in any format or manner, CONNELY may enforce its intellectual property rights at its own discretion; failures or delays to exercise such rights does not constitute a waiver of such rights.

1 2 3 4 5 6 7 8

REV.	DESCRIPTION	DRAWN	CHECKED	APPROVED
A	NEW RELEASE	LL 10/09/06'		LJC 10/09/06'
B	DRAWING UPDATE	JLZ 08/21/18'		



NOTES:

- SPECIFICATION:
 - Current Rating: 1.5A.
 - Insulation Resistance: 1000MΩ min.
 - Dielectric Withstanding: 500V for One minute.
 - Contact resistance: 50mΩ max.
 - Operating Temperature: -40°C to +105°C

2. MATERIALS

- Housing: Thermoplastic(UL94 V-0).
- Contact: Copper alloy.
- Shell: Steel.

3. Product Number code:

DS1082-02 - X X X X X

- Screw type
- CC: CC type
- DS: DS type
- Shell plating
- N: All Nickel
- 6: All Tin
- Housing color
- B: black
- L: blue
- Contact plating
- 8: Full gold flash
- Connector type
- 9F: 9Female & 9Female
- 9M: 9Mlae & 9Female
- 9P: 9Mlae & 9Male
- 15F: 15Female & 15Female
- 15M: 15Mlae & 15Female
- 15P: 15Mlae & 15Male
- 25F: 25Female & 25Female
- 25M: 25Mlae & 25Female
- 25P: 25Mlae & 25Male
- 37F: 37Female & 37Female
- 37M: 37Mlae & 37Female
- 37P: 37Mlae & 37Male

Dimension

Position	A±0.2	B±0.2	C±0.2	D±0.2
9	30.80	24.99	16.33	17.90
15	39.14	33.32	24.66	26.50
25	53.04	47.04	38.38	40.00
37	69.32	63.50	54.84	56.50

GENERAL TOLERANCE		ANGLE TOLERANCE	
X.	±0.60	X.	±5°
.X	±0.38	.X	±3°
.XX	±0.25	.XX	±2°

PROJECTION		TITLE	D-SUB ADAPTOR	
UNITS	mm	SHEET	DS1082-02 SERIES	
SHEET SIZE	A4	SERIES	DS1082-02 SERIES	

DRAWING TYPE	CUSTOMER		
SCALE	1:1	SHEET	1 OF 1
DRAWING NO.	C-DS1082-02-XXXXX-B		

晨翔电子有限公司
CONNELY CONNELY ELECTRONIC CO. LTD

1 2 3 4 5 6 7 8