



**HESTORE.HU**

elektronikai alkatrész áruház

**EN:** This Datasheet is presented by the manufacturer.

Please visit our website for pricing and availability at [www.hestore.hu](http://www.hestore.hu).

**■ Features**

- High Luminous LEDs
- 5mm Round Standard Directivity
- UV Resistant Epoxy
- Fewer White Diffused Type

**■ Applications**

- Electronic Signs And Signals
- Small Area Illuminations
- Back Lighting
- Other Lighting

**■ Absolute Maximum Rating**

(Ta=25°C)

| Item                       | Symbol           | Value      | Unit |
|----------------------------|------------------|------------|------|
| DC Forward Current         | I <sub>F</sub>   | 30         | mA   |
| Pulse Forward Current#     | I <sub>FP</sub>  | 100        | mA   |
| Reverse Voltage            | V <sub>R</sub>   | 5          | V    |
| Power Dissipation          | P <sub>D</sub>   | 108        | mW   |
| Operating Temperature      | T <sub>opr</sub> | -30 ~ +85  | °C   |
| Storage Temperature        | T <sub>stg</sub> | -40 ~ +100 | °C   |
| Lead Soldering Temperature | T <sub>sol</sub> | 260°C/5sec | -    |

#Pulse width Max 10ms , Duty ratio max 1/10

**■ Electrical -Optical Characteristics**

(Ta=25°C)

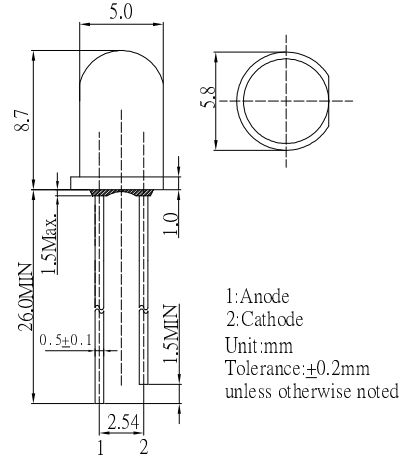
| Item                      | Symbol            | Condition            | Min. | Typ.  | Max. | Unit |
|---------------------------|-------------------|----------------------|------|-------|------|------|
| DC Forward Voltage*       | V <sub>F</sub>    | I <sub>F</sub> =20mA | 2.7  | 2.9   | 3.4  | V    |
| DC Reverse Current        | I <sub>R</sub>    | V <sub>R</sub> =5V   | -    | -     | 10   | μA   |
| Luminous Intensity*       | I <sub>v</sub>    | I <sub>F</sub> =20mA | 8400 | 10000 | -    | mcd  |
| Color Temperature*        | CCT               | I <sub>F</sub> =20mA | -    | 3000  | -    | K    |
| Chromaticity Coordinates* | x                 | I <sub>F</sub> =20mA | -    | 0.45  | -    |      |
|                           | y                 | I <sub>F</sub> =20mA | -    | 0.41  | -    |      |
| 50% Power Angle           | 2θ <sub>1/2</sub> | I <sub>F</sub> =20mA | -    | 30    | -    | deg  |

\*1 Tolerance of measurements of chromaticity coordinates/CCT ±10%

\*2 Tolerance of measurements of luminous intensity is ±15%

\*3 Tolerance of measurements of forward voltage is ±0.1V

**■ Outline Dimension**



**■ Directivity**

