



HESTORE.HU

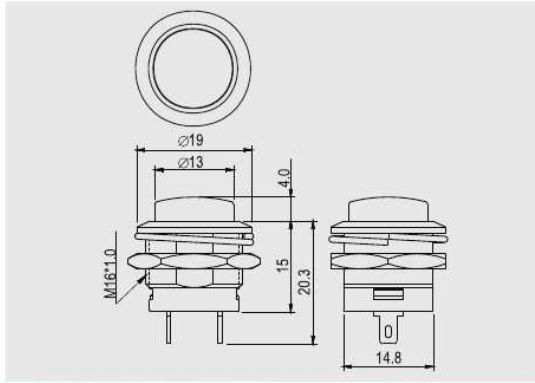
elektronikai alkatrész áruház

EN: This Datasheet is presented by the manufacturer.

Please visit our website for pricing and availability at www.hestore.hu.

R13-507

Screw Type



Rating	6A 125V AC 3A 250V AC
Contact resistance	50mΩ Max
Insulation resistance	DC 500V 100MΩ Min
Dielectric strength	AC 1000V 1 minute
Cut-out	

FEATURES

- * MATERIAL: Frame is nylon glass fiber(UL flame: 94HB), bezel is PBT. Terminals are silver plated brass.
- * M type are metal frame, nickel plated brass.
- * Mounted by nut.

R13-507 -

BODY		FUNCTION	TERMINAL
<input checked="" type="checkbox"/> Plastic Body 	<input type="checkbox"/> Metal Body 	A OFF 1 2 (ON) 2P SPST	0 5 SO
* () =momentary			