



HESTORE.HU

elektronikai alkatrész áruház

EN: This Datasheet is presented by the manufacturer.

Please visit our website for pricing and availability at www.hestore.hu.

POS12200A series

12V / 2A Wall mounted type AC/DC adaptor



■ Features:

- Universal AC input / Full range
- ErP step II / CEC level VI compliance
- No load power consumption $P < 0.075W$
- Protections: Overload / Short circuit / Over Voltage



ELECTRICAL SPECIFICATION

| | |
|-------|------------|
| MODEL | POS 12200A |
|-------|------------|

OUTPUT

| | |
|---------------------------|-------------------------------------|
| Rated Voltage | 12V |
| Rated Current | 2A |
| Current Range | 0 ÷ 2A |
| Rated Power | 24W |
| Line Regulation | ± 1% |
| Load Regulation | ± 5% |
| Tolerance [3] | ± 8% |
| Ripple & Noise (max.) [2] | 120mV _{p-p} |
| Setup, Rise Time [4] | 5000 ms, 30ms / 230VAC at full load |
| Hold up Time (typ.) | 4ms / 230VAC at full load |

INPUT

| | |
|----------------------------------|---------------|
| Voltage Range | 90 ÷ 264VAC |
| Frequency Range | 47 ÷ 63Hz |
| Efficiency (typ.) | 81.16% |
| AC Current (typ.) | 0.8A / 230VAC |
| No load Power Consumption (max.) | 0.075W |

PROTECTIONS

| | |
|---------------|-----------------------------------|
| Overload | Range: 105-200% Auto-recovery. |
| Short Circuit | Type: hiccup mode, auto-recovery. |
| Over Voltage | Type: auto-recovery. |

POS12200A series

12V / 2A Wall mounted type AC/DC adaptor



WORKING ENVIRONMENT

| | |
|---|---|
| Working Temperature | 0°C ÷ 40°C |
| Working Humidity | 5 ÷ 90% RH non-condensing |
| Storage Temperature and Humidity | -20°C ÷ 85°C, 5 ÷ 90% RH non-condensing |

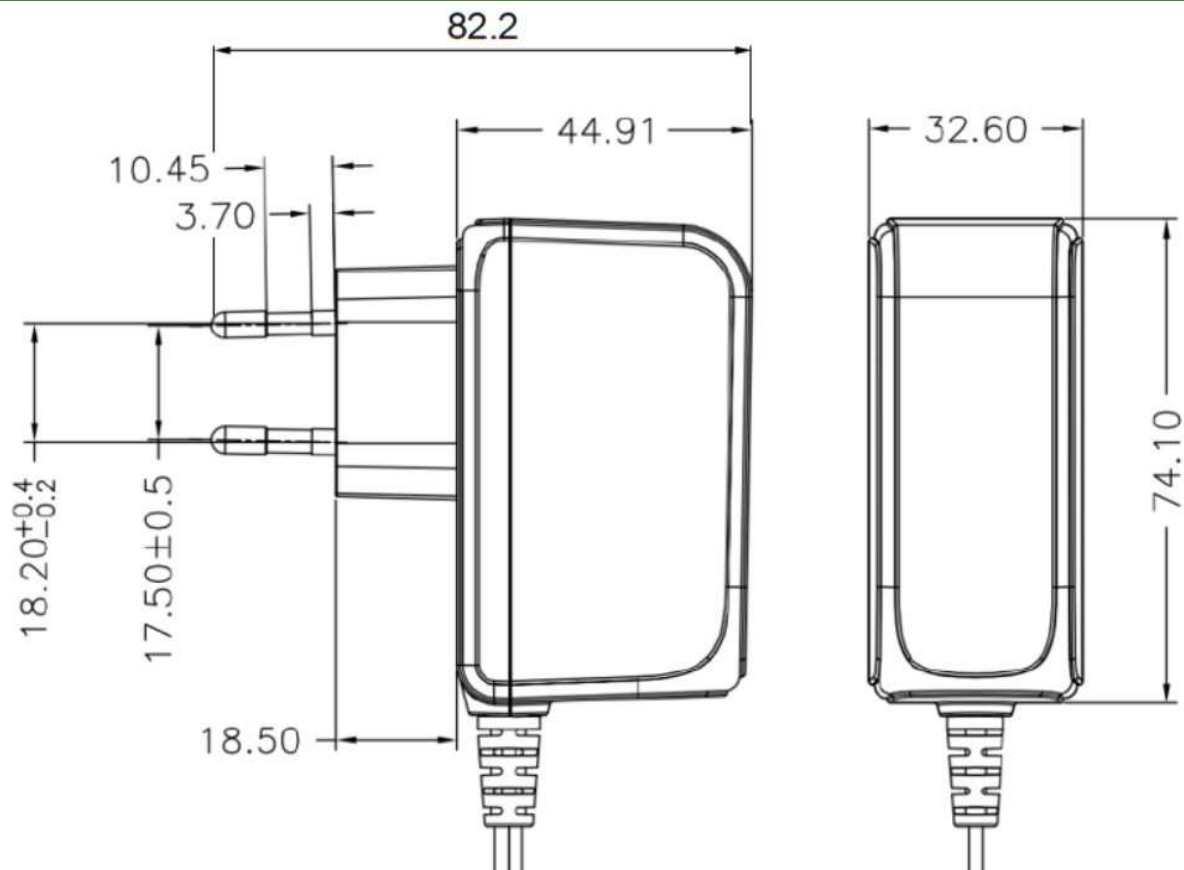
SAFETY and EMC REGULATIONS

| | |
|-----------------------------|--|
| Safety Standards | Compliance to EN 62368 |
| Withstand Voltage | IN/OUT: 3.6kVAC |
| Isolation Resistance | IN/OUT: 50MΩ/500VDC/25°C/70% |
| EMC Emission | Compliance to EN55032 |
| EMC Immunity | Compliance to EN61000-4-2, -3, -4, -5 |
| Harmonic Current | Compliance to EN61000-3-3; EN61000-3-2 |

OTHERS

| | | |
|--------------------------------|---|--------------------------------|
| DC wire and plug | Wire: 20AWG*2C, length = 1500mm | Plug: 2.1/5.5, positive inside |
| Net Weight / Dimensions | 120g / 82.2 x 32.6 x 74,2mm (L x W x H) | |

MECHANICAL SPECIFICATION

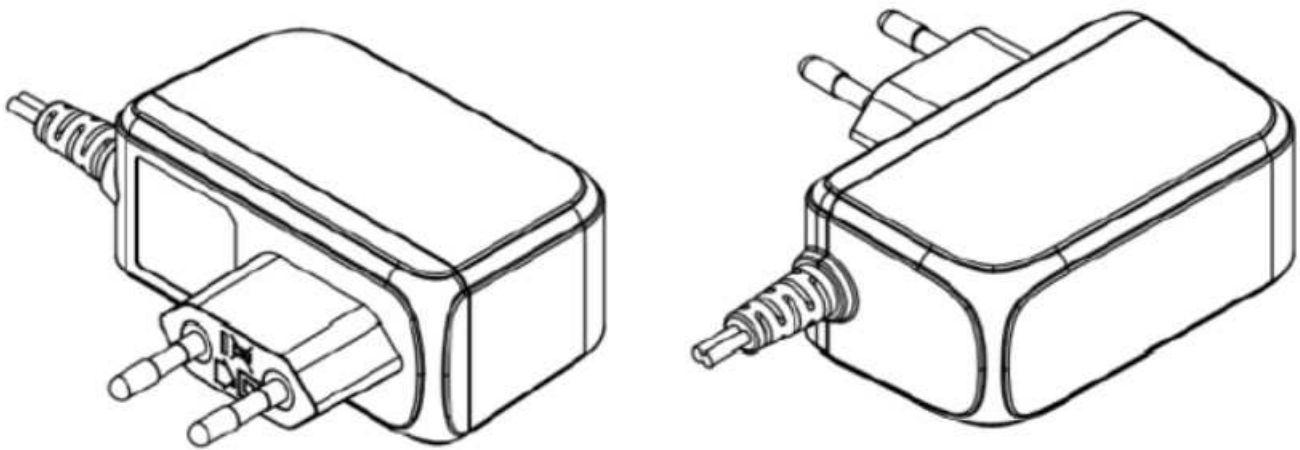
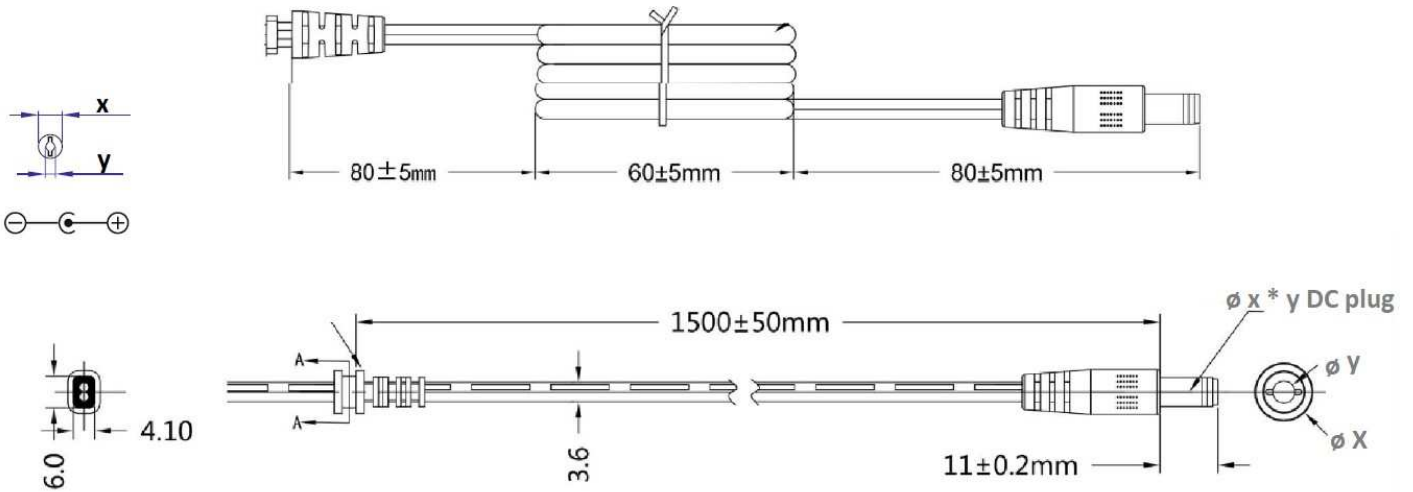


POS12200A series

12V / 2A Wall mounted type AC/DC adaptor



MECHANICAL SPECIFICATION: DC wire and plug



| MODEL | DC PLUG | X [mm] | Y [mm] | Polarity |
|----------------|-----------|--------|--------|-----------------|
| POS12200A | 5.5x2.1mm | 5.5 | 2.1 | Center positive |
| POS12200A-2555 | 5.5x2.5mm | 5.5 | 2.5 | Center positive |
| POS12200A-1335 | 3.5x1.3mm | 3.5 | 1.3 | Center positive |