



HESTORE.HU

elektronikai alkatrész áruház

EN: This Datasheet is presented by the manufacturer.

Please visit our website for pricing and availability at www.hestore.hu.

XKT-510

一、 Introduction

ElecFreaks provided XKT-510 series integrated circuit,using CMOS process Process, it has the characteristics of higher accuracy and good stability,its designed .The door for wireless induction intelligent charging,the power supply Management system.The reliability is high,Responsible for handing Department XKT-510 Radio can transfer function of system,the use of Electromagnetic energy. Transformation principle and cooperate with Receiving part of energy conversion and electricity.Real-time monitoring Of the road, Responsible for the rapid charging of the battey.Intelligent Control,only with few external XKT-510 .Components can be made highly reliable wireless quick charger,Wireless power supply.

二、 Characteristic

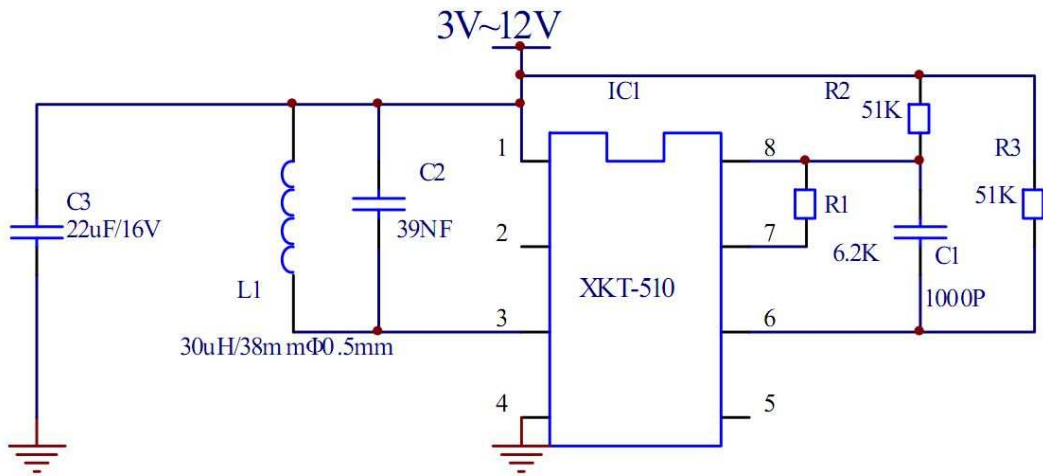
- * Automatically adapt to the power supply voltage regulating function
Make it able to work under the wide voltage all can
 - * Automatic frequency locking
 - * Automatic negative test load
 - *Automatic power control
- *High speed transmission power transmission
- *Efficient electromagnetic energy conversion
- *Intelligent detection system,free debugging
- *Working voltage: DC 3~15V
- *Working frequency: 0~5MHZ
- *Highly integrated,only a few common peripheral components
- *SOP-8

三、 Internal Block Diagram

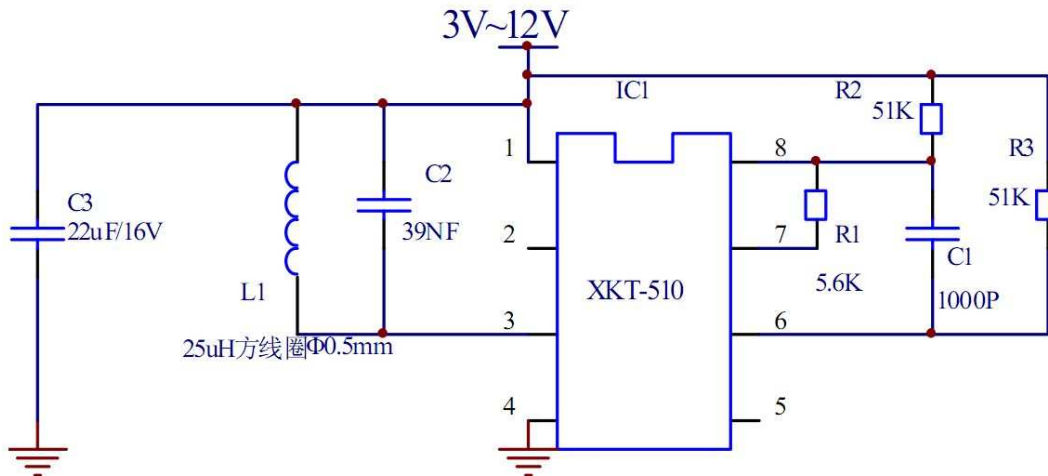
Pin No	Pin configuration	
1	VDD	V+
2	NC	NC
3	OUT	Output
4	GND	Ground
5	AO	Function to adjus
6	AIN	Measured voltage switch
7	FIN	The rate of detection
8	NC	NC

四、 Schematic Diagram

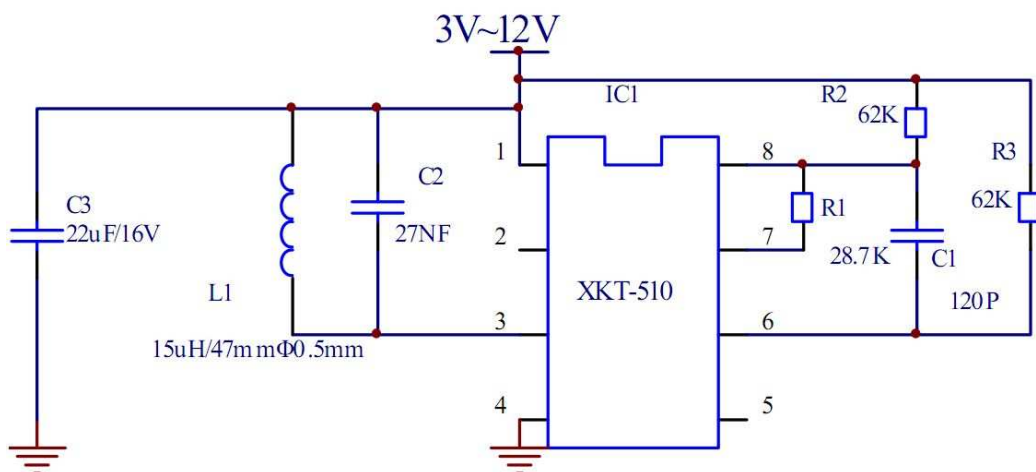
➤ Transmission circuit 1



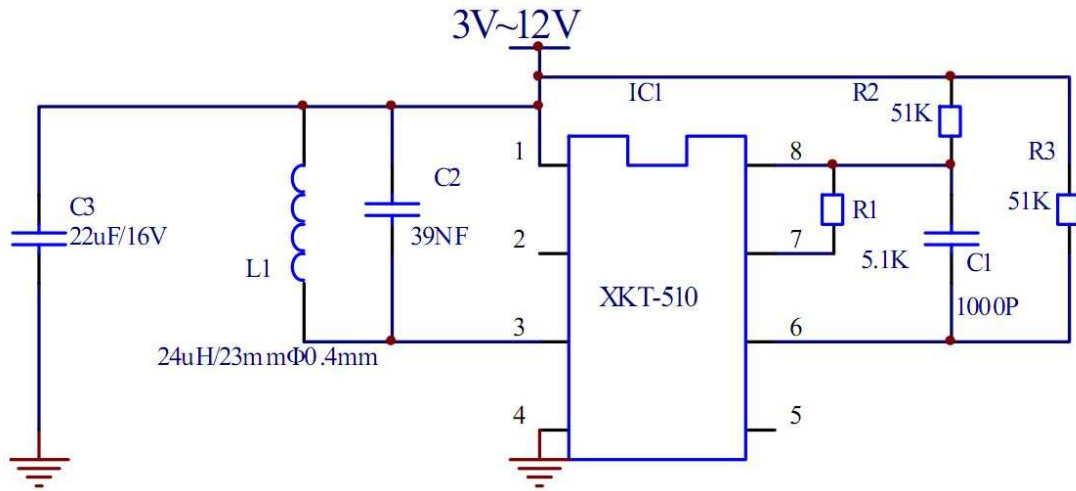
➤ Transmission circuit 2



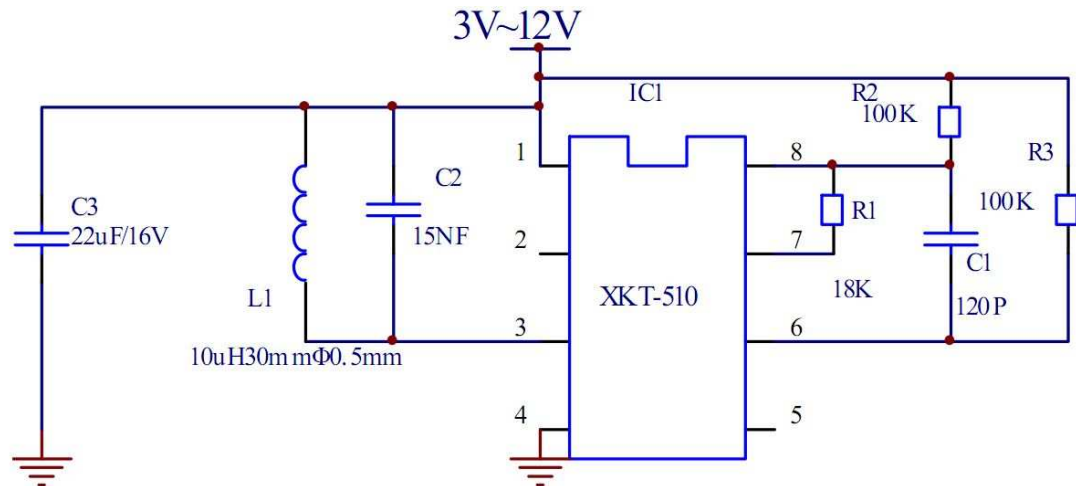
➤ Transmission circuit 3



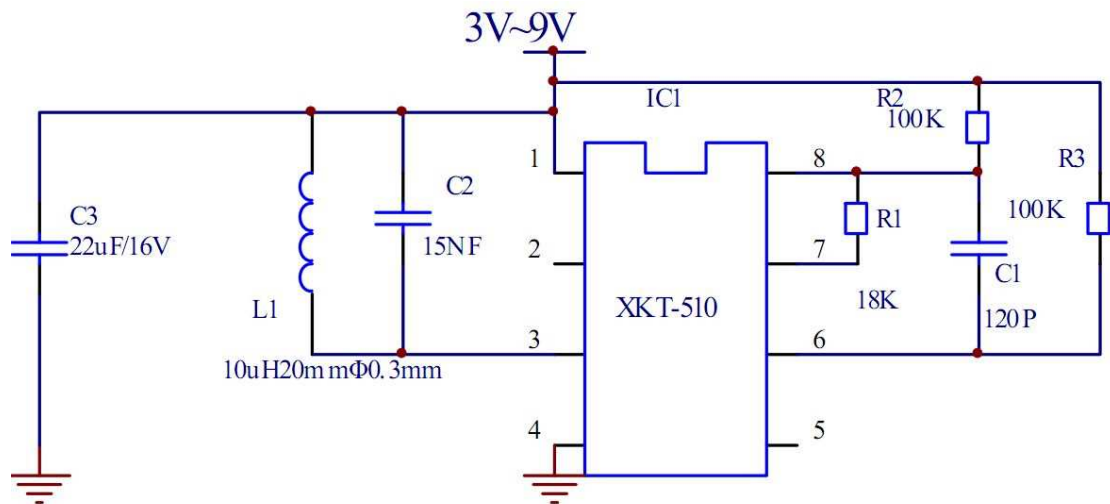
➤ Transmission circuit 4



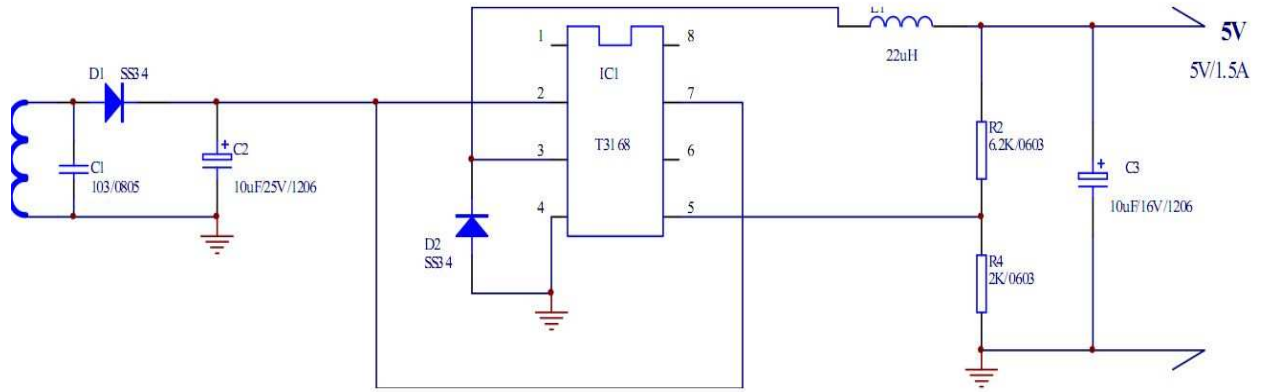
➤ Transmission circuit 5



➤ Transmission circuit 6



➤ Receiving circuit



T3168

五、 Typical working parameters

SYMBOL	PARAMETER	RATING	Min	Typ	Max	UNIT
VDD	Working voltage	25°C	3	12	15	V
AOUT	Output current	VDD=12V	100	500	800	mA
IA	No-load current	VDD=12V	1	3	10	mA
M	Induction distance		1	5	200	mm

六 Work limit

- Working temperature: -55°C to +125°C
- Storage temperature: -65°C to +150°C
- Maximum working voltage: 15V
- The output drive current: 800mA

七、Mechanical Dimensions (mm) SOP-8

