



**HESTORE.HU**

elektronikai alkatrész áruház

**EN:** This Datasheet is presented by the manufacturer.

Please visit our website for pricing and availability at [www.hestore.hu](http://www.hestore.hu).

# OX Type

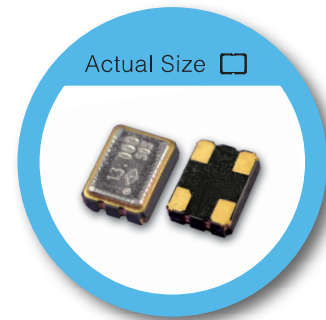
## 3.2 x 2.5 mm SMD Crystal Oscillator

### FEATURE

- Typical 3.2 x 2.5 x 0.95 mm ceramic SMD package.
- Tight symmetry (45 to 55%) available.
- Operation voltage: 1.8V, 2.5V, 3.3V
- Tri-state enable/disable

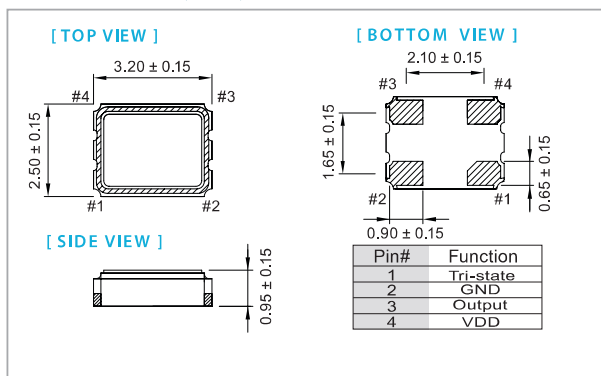
### TYPICAL APPLICATION

- WLAN/WiMAX
- Mobile Phone
- DSC, Set-top Box, HDTV

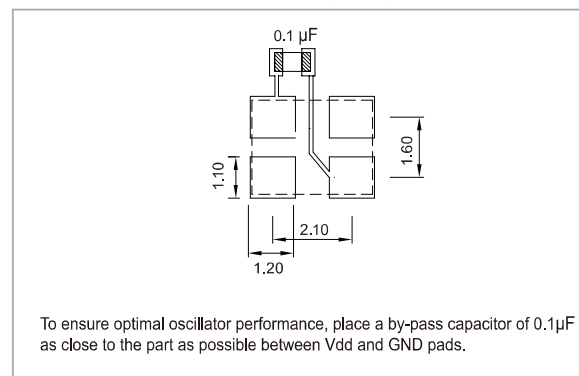


RoHS Compliant

### DIMENSION (mm)



### SOLDER PAD LAYOUT (mm)



### ELECTRICAL SPECIFICATION

Parameter	3.3 V		2.5 V		1.8 V		unit
	Min.	Max.	Min.	Max.	Min.	Max.	
<b>Supply Voltage Variation (V<sub>DD</sub>)</b>	V <sub>DD</sub> -10%	V <sub>DD</sub> +10%	V <sub>DD</sub> -10%	V <sub>DD</sub> +10%	V <sub>DD</sub> -10%	V <sub>DD</sub> +10%	V
<b>Frequency Range</b>	1.25	125	1.25	125	1.25	125	MHz
<b>Standard Frequency</b>	24, 26, 32, 38.4, 40						
<b>Supply Current</b>	1.25 MHz ≤ F <sub>o</sub> < 100 MHz		100 MHz ≤ F <sub>o</sub> ≤ 125 MHz				
	-	15	-	10	-	7	mA
	-	25	-	20	-	12	
<b>Duty Cycle</b>	45	55	45	55	45	55	%
<b>Output Level (CMOS)</b>	Output High (Logic "1")		Output Low (Logic "0")				
	2.97	-	2.25	-	1.62	-	V
	-	0.33	-	0.25	-	0.18	
<b>Transition Time: Rise/Fall Time<sup>+</sup></b>	1.25 MHz ≤ F <sub>o</sub> < 20 MHz		20 MHz ≤ F <sub>o</sub> < 80 MHz		80 MHz ≤ F <sub>o</sub> ≤ 125 MHz		
	-	4	-	4	-	5	nSec
	-	3	-	3	-	4	
	-	3	-	3	-	4	
<b>Start Time</b>	-	2	-	2	-	2	mSec
<b>Tri-State (Input to Pin 1)</b>	Enable (High voltage or floating)		Disable (Low voltage or GND)				
	2.31	-	1.75	-	1.26	-	V
	-	0.99	-	0.75	-	0.54	
<b>Period Jitter (Pk-Pk)</b>	-	40	-	40	-	40	pSec
<b>RMS Phase Jitter (Integrated 12 kHz ~ 20 MHz)</b>	-	1	-	1	-	1	pSec
<b>Standby Current</b>	-	10	-	10	-	10	µA
<b>Aging (@ 25°C 1st year)</b>	-	±3	-	±3	-	±3	ppm
<b>Storage Temp. Range</b>	-55	125	-55	125	-55	125	°C

Standard frequencies are frequencies which the crystal has been designed and does not imply a stock position.

<sup>+</sup> Transition times are measured between 10% and 90% of V<sub>DD</sub>, with an output load of 15pF.

### FREQ. STABILITY vs. TEMP. RANGE

Temp. (°C)	ppm		
	±20	±25	±50
-10 ~ +60	○	○	○
-20 ~ +70	△	○	○
-40 ~ +85	×	○	○
-40 ~ +125	×	×	○

\* ○: Available △: Conditional X: Not available

\* Inclusive of calibration @ 25 °C, operating temperature range, input voltage variation, load variation, aging (1<sup>st</sup> year), shock, and vibration

Note: not all combination of options are available. Other specifications may be available upon request.

Rev(10)04/2017  
[www.taitien.com](http://www.taitien.com)

sales@taitien.com.tw