

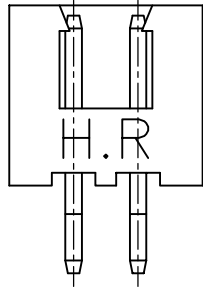


HESTORE.HU

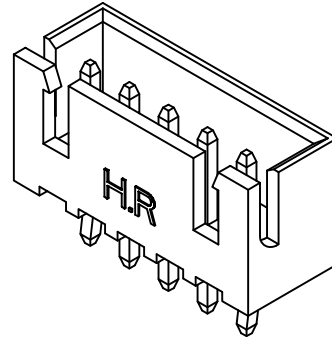
elektronikai alkatrész áruház

EN: This Datasheet is presented by the manufacturer.

Please visit our website for pricing and availability at www.hestore.hu.



02P



Ordering Information:

A2501WV-XP *
1 2

1.Part No.

2.Style:

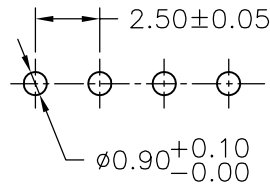
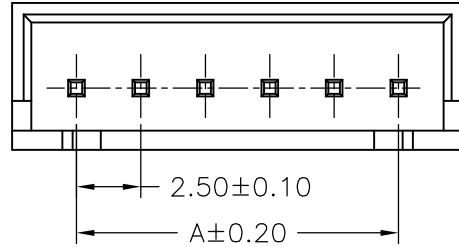
1-Type 1

2-Type 2

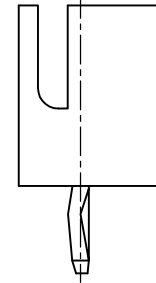
3-Type 3

SPECIFICATIONS

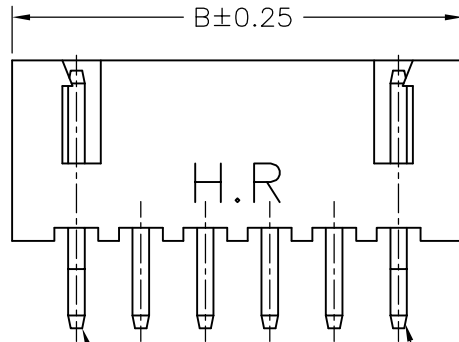
Current Rating: 3A AC,DC
Voltage Rating: 250V AC,DC
Temperature Range: -25°C ~ +85°C
Contact Resistance: 10mΩ Max
Insulation Resistance: 1000MΩ Min
Withstanding Voltage: 1000V AC/minute
Pin Material: Brass/Tin-plated
Material: Nylon 66,UL94V-0
Color: Natural(White)



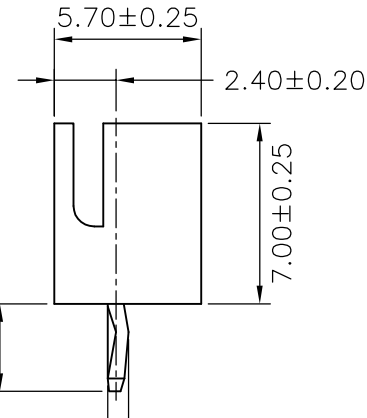
P.C.B LAYOUT



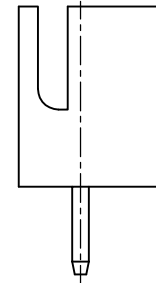
TYPE 2



PIN 0.64 SQ



TYPE 1



TYPE 3

Ordering Information & Dimensions

PART NO.	Dimensions	
	A	B
A2501WV-02P	2.50	7.50
A2501WV-03P	5.00	10.00
A2501WV-04P	7.50	12.50
A2501WV-05P	10.00	15.00
A2501WV-06P	12.50	17.50
A2501WV-07P	15.00	20.00
A2501WV-08P	17.50	22.50
A2501WV-09P	20.00	25.00
A2501WV-10P	22.50	27.50
A2501WV-11P	25.00	30.00
A2501WV-12P	27.50	32.50
A2501WV-13P	30.00	35.00
A2501WV-14P	32.50	37.50
A2501WV-15P	35.00	40.00
A2501WV-16P	37.50	42.50
A2501WV-17P	40.00	45.00
A2501WV-18P	42.50	47.50
A2501WV-19P	45.00	50.00
A2501WV-20P	47.50	52.50

			JOINT TECH ELECTRONIC IND. CO., LTD.		
			JOY DAY INDUSTRIAL CO., LTD.		
UNIT	SCALE	SHEET	TITLE		
mm		1 of 1	2.50mm PITCH 180° WAFER		
DRAWN BY		APPROVED BY			
李勤		董正一			
2006.05.17		2006.05.17			
GENERAL TOLERANCE					
A1	REVISE	2007.03.07	X X±0.25	ANGLE	
A0	NEW RELEASE	2006.05.17	X XX±0.15		
REV.	DESCRIPTION	DATE	X XXX±0.05		
				DRAWNO:	REV.
				A2501WV-XPX	A1