



HESTORE.HU

elektronikai alkatrész áruház

EN: This Datasheet is presented by the manufacturer.

Please visit our website for pricing and availability at www.hestore.hu.

REV.	DESCRIPTION	DRAWN	CHECKED	APPROVED
A	NEW RELEASE	LJH 04/27/05'		

NOTES:

- MATERIAL
 - INSULATOR:THERMOPLASTIC(UL 94V-0).
 - CONTACT: COPPER ALLOY.
- SPECIFICATION
 - TEMPERATURE RANGE:-40°C~+105°C.
 - CONTACT RESISTANCE:20mΩ max.
 - INSULATION RESISTANCE:1000MΩ min.
 - DIELECTRIC WITHSTANDING VOLTAGE:AC 500V PER MINUTE.
- PACKING: PVC TRAY.
- PRODUCT NUMBER CODE:

DS1017-01- X X X X

CONTACT PLATING
8: FULL GOLD FLASH
2: NICKEL + GOLD FLASH
6: FULL Tin

POLARIZATION
A: W/
B: W/O

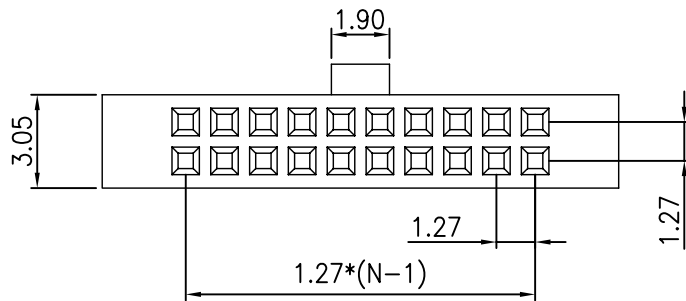
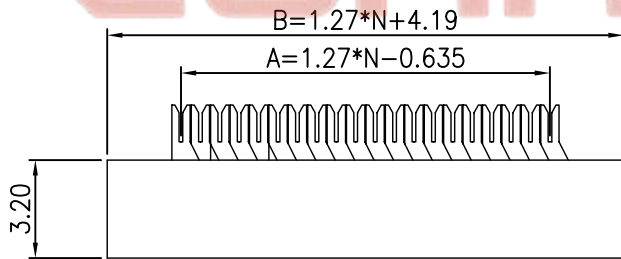
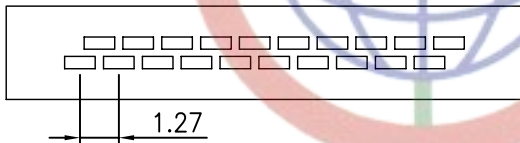
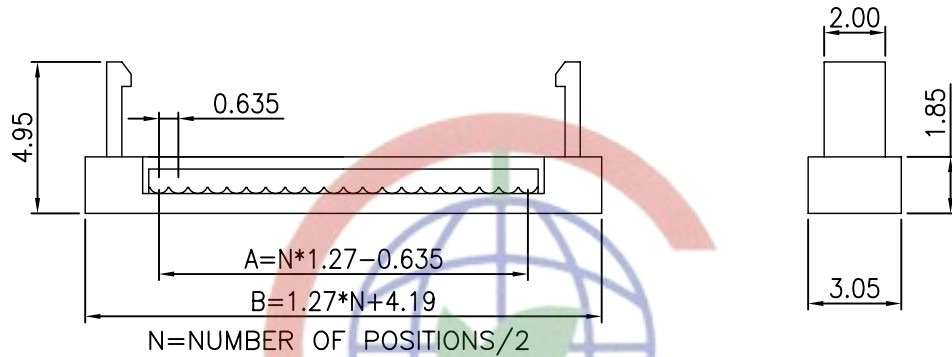
STRAIN RELIEF
N: W/O

No. OF CONTACTS
10 12 14 16 20 26 30 34
40 44 50 60 68 80 100

SERIES No.
DS1017

COVER

HOUSING



GENERAL TOLERANCE		ANGLE TOLERANCE		PROJECTION	TITLE	IDC SOCKET PITCH 1.27mm WITH 0.635mm FLAT CABLE	
X.	±0.60	X.	±5°				
.X	±0.38	.X	±3°				
.XX	±0.25	.XX	±2°				
DRAWING TYPE		CUSTOMER		SHEET SIZE	A4	SERIES	DS1017-01 SERIES
SCALE		1:1	SHEET	1 OF 1			
DRAWING NO.		C-DS1017-01-XXXX					

晨翔电子有限公司
CONNFLY CONNFLY ELECTRONIC CO. LTD

Tel:86-574-635087
Fax:86-574-635108
E-mail:sale@zhenqin.com.cn
Http://www.connfly.com